

Weatherproof 14" x 12" x 7" Enclosure with 110 VAC Mounting Plate, Cooling Fan and Heater

Model: NB141207-1HF

Applications and Features

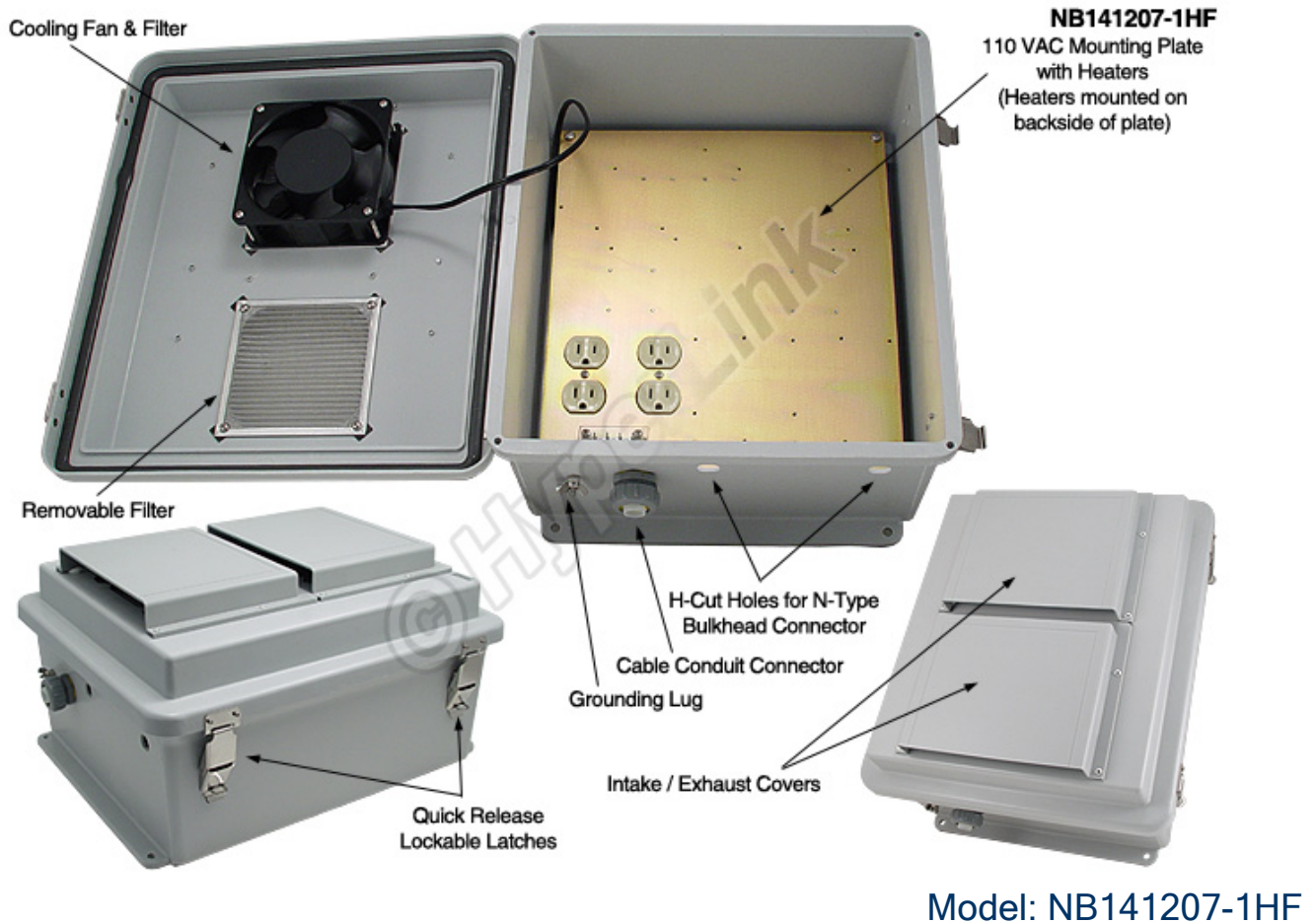
Applications:

- Remote Wireless LAN WiFi equipment installations
- Indoor and outdoor installations
- Corrosive environments
- Hot and Cold temperature environments
- Hotspot applications
- Protection of equipment from theft or damage

Features:

- Molded fiberglass reinforced polyester enclosure
- Stainless steel quick release latches with padlock hasps
- Fully gasketed raised lid and integral mounting flange
- NEMA Type 3R / IP42 rated
- Features aluminum mounting plate
- Thermostat-controlled heating and cooling fan
- Optional solid state dual set point temperature controller available
- 110 VAC Outlets
- Mounting plate can accommodate WLAN equipment from Cisco®, Symbol®, D-Link®, HyperLink and more..
- Optional universal equipment shelf and mounting brackets available





Product Description

Start with the Box...

The box is a rugged weatherproof enclosure that is ideal for both indoor and outdoor applications. Constructed from molded fiberglass reinforced polyester, it is well suited for high temperature or corrosive environments. The mounting flange allows it to be wall mounted as well as on a flat surface. The raised lid features a stainless steel continuous hinge and stainless steel quick release latches with padlock hasps. The raised lid is fully gasketed. The enclosure material is UV stabilized and comes in machine tool gray.

Mounting Plate

The aluminum mounting plate has provisions to mount WLAN equipment from Cisco®, Symbol®, D-Link®, HyperLink and more (see mounting plate drawing). With the optional HGX-AMOUNT02 bracket a wide array of HyperLink Amplifiers, Power-Over-Ethernet products and Power Supplies can be mounted as well. Two of these brackets can be mounted side by side. Also available is the HGX-NMOUNT03 Universal Mounting Shelf that can be attached to the mounting plate and can accommodate additional equipment to be placed in the enclosure. The plate features four standard surge protected 110 VAC outlets and a terminal strip to supply power to internal equipment.

Hot and Cold Environments

The NB141207-1HF includes a thermostat-controlled 30W (Max) fan. The high airflow, low noise fan used allows air to be pushed or pulled through the enclosure. Filters for both ports are easily removable for cleaning and replacement. The fan turns on when



the internal temperature rises to 120° F (49° C) and turn off at 90° F (32° C). Like the heater, the cooling fan does not require the use of any of the AC outlets, leaving them all available for your equipment.

The NB141207-1HF also includes a thermostat-controlled 200W heater. The heater turns on when the internal temperature drops to 40° F (4° C) and turn off at 60° F (15° C). The heater does not require the use of any of the AC outlets, leaving them all available for your equipment. No extra room for the heater is required since it is mount underneath the plate.

Lightning Protection

Surge protection is provided as a standard feature on the internal AC outlets. In addition, the unit can accept up to two optional bulkhead-mount N-Type lightning protectors to protect the coaxial cable runs. Mounted to the optional HGX-AMOUNT02 bracket, the HGLN-CAT5 lightning protector can be used with Power-over-Ethernet applications.

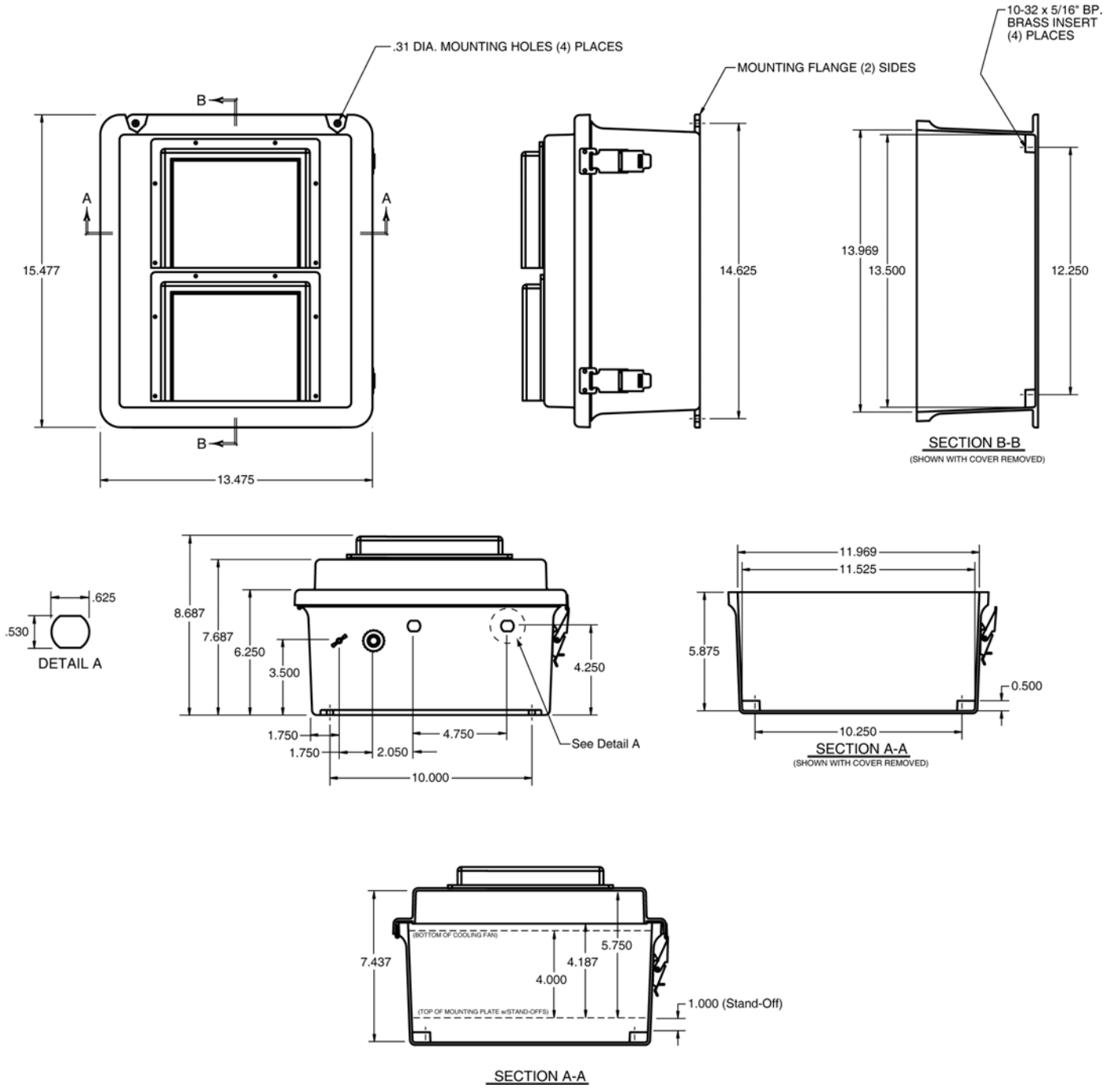
Specifications

Voltage	110 VAC
Mounting Plate Material	.10" (2.5mm) Thick Anodized Aluminum
Mounting Plate Dimensions	12.7 x 10.8 inches (32.2 x 27.4 cm)
Enclosure Material	Fiberglass Reinforced Polyester
Enclosure Color	Machine Tool Gray
Weight	12.5 lbs (5.6 kg)
Outside Dimensions (max)	15.5 x 13.5 x 8.7 inches (39.3 x 34.2 x 22 cm)
Inside Dimensions	13.5 x 11.5 x 5.8 inches (34.3 x 29.2 x 14.7 cm)
Flame Rating	UL 94-5V
Cable Feed	1/2" Cable Conduit Connector
Ratings	NEMA 3R / IP42

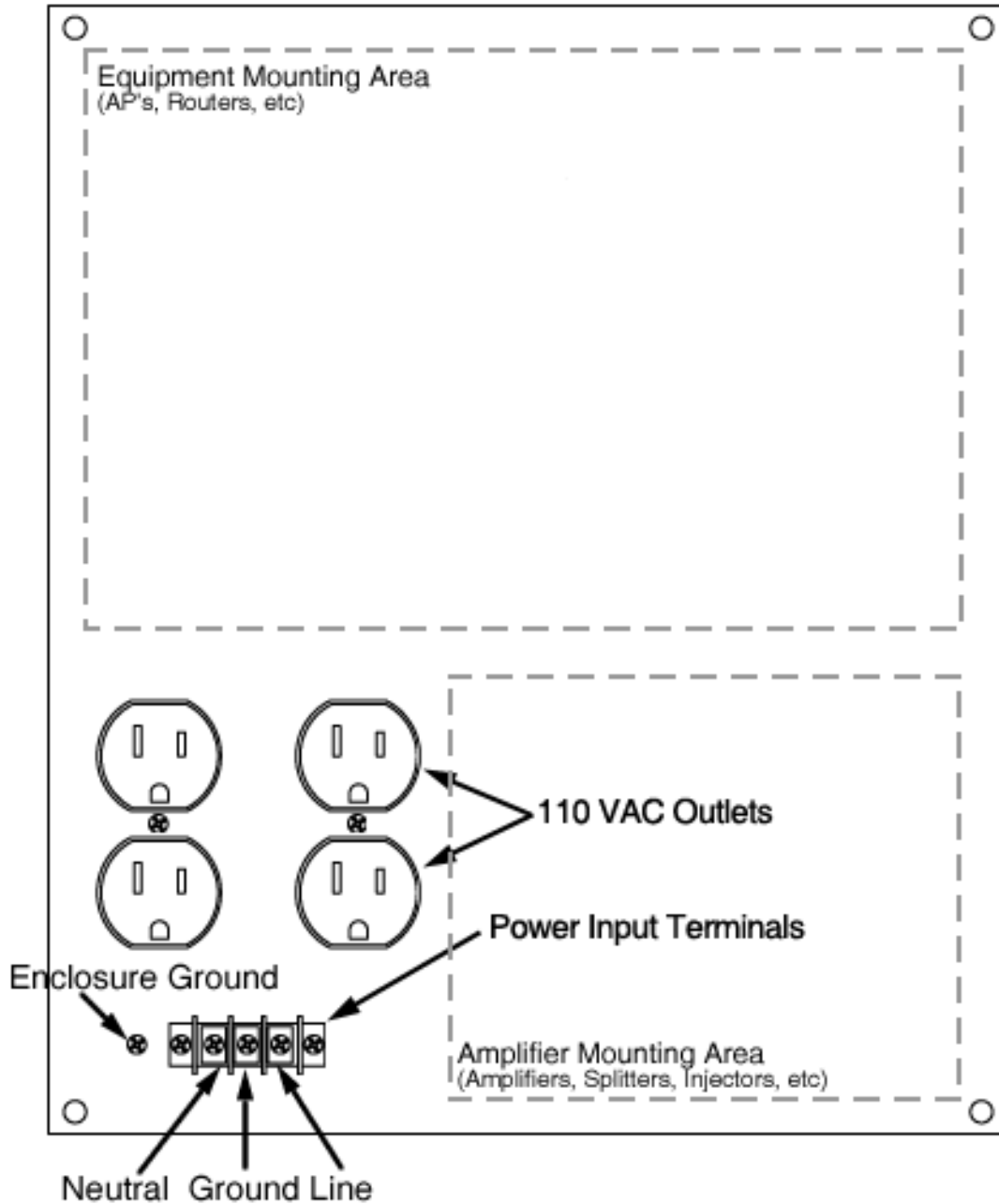
Model: NB141207-1HF

Enclosure Dimensions





Mounting Plate Details



Mounting holes on plate can accommodate WLAN equipment from Cisco®, Symbol®, D-Link® and more. A mounting hole reference guide is available on the HyperLink website at: www.hyperlinktech.com/web/pdf/nema_plate.pdf

Enclosure Sizes: 14" x 10" x 4" (35.5 x 25.4 x 10.1 cm), Part Number **NBP141004-xxx**
 14" x 12" x 7" (35.5 x 30.4 x 17.7 cm), Part Number **NB141207-xxx**
 18" x 16" x 8" (45.7 x 40.6 x 20.3 cm), Part Number **NB181608-xxx**

Model Options	Enclosure with	Vented Enclosure with	Enclosure with Heat	Enclosure with Cooling Fan	Enclosure with Cooling Fan & Heat
110 VAC	NB141207-100 NBP141004-100 NB181608-100	-	NB141207-1H0 NB181608-1H0	NB141207-10F NB181608-10F	NB141207-1HF NB181608-1HF
Power-Over-Ethernet	NB141207-400 NB181608-400	NB181608-40V	-	NB141207-40F NB181608-40F	-
12 VDC	NB141207-500 NB181608-500	NB181608-50V	-	NB141207-50F NB181608-50F	-
Sub-Zero Applications	-	-	NB141207-4H0	-	-
No Mounting Plate	NB141207 NB181608	-	-	-	-
Mounting Plate	NB141207-01 NB181608-01	NB141207-00V NB181608-00V	-	-	-

Additional Enclosure Models

Configuration Examples



Shown with D-Link® DI-624 Wireless Broadband Router



Shown with Airespace® 1200 AP



Shown with Nortel Networks® 2230 AP

